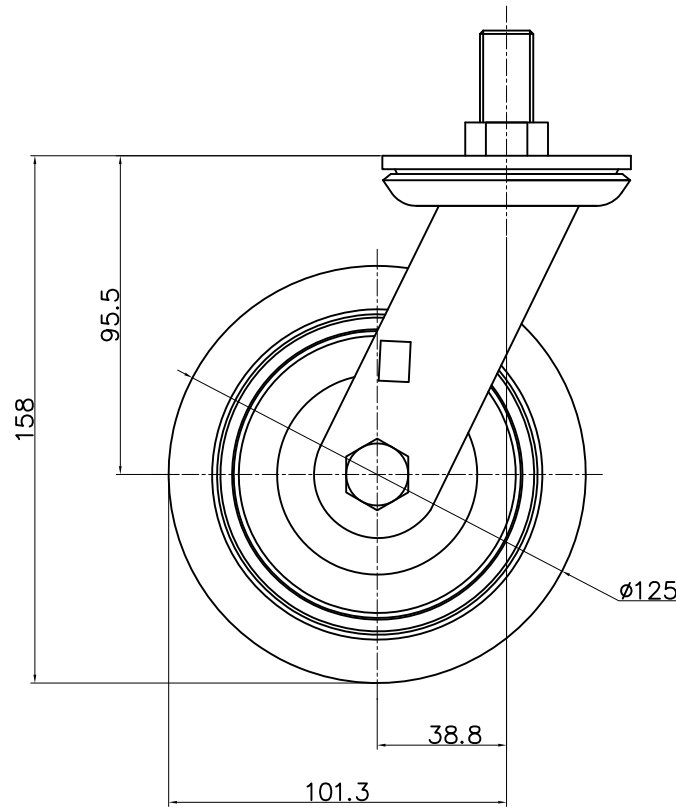
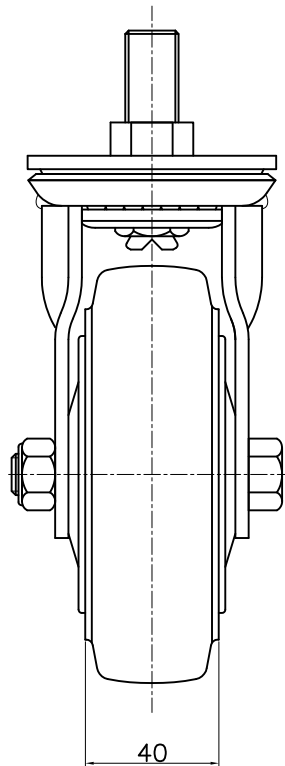
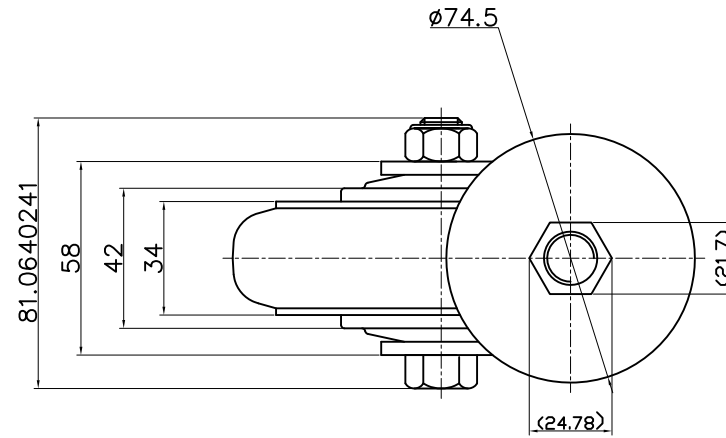


NO.	DESCRIPTIONS	MAT'L	Q'TY	WEIGHT KG.		REMARKS.
				UNIT	TOTAL	
1	-	-	1			-



\*NOTE

1. 날카로운 모서리는 제거할 것.

2018.04.27	FIRST ISSUE	박일경	김광영	최규일
REV. NO.	DATE	MODIFICATIONS	DRAWN BY	DESIGN BY
			CHECKED BY	APPROVED BY
OWNER				
PROJECT ALOTECH CASTER				
CLASS	TITLE APC-5250SS			
1/1 SCALE	ASSEMBLY DRAWING			
A4 SIZE	mm(inch) DIM.	THIRD ANGLE PROJECTION	REF. DRAWING	
ALPO TECH DRAWING NO.	-		REV. NO. 0	SHEET /