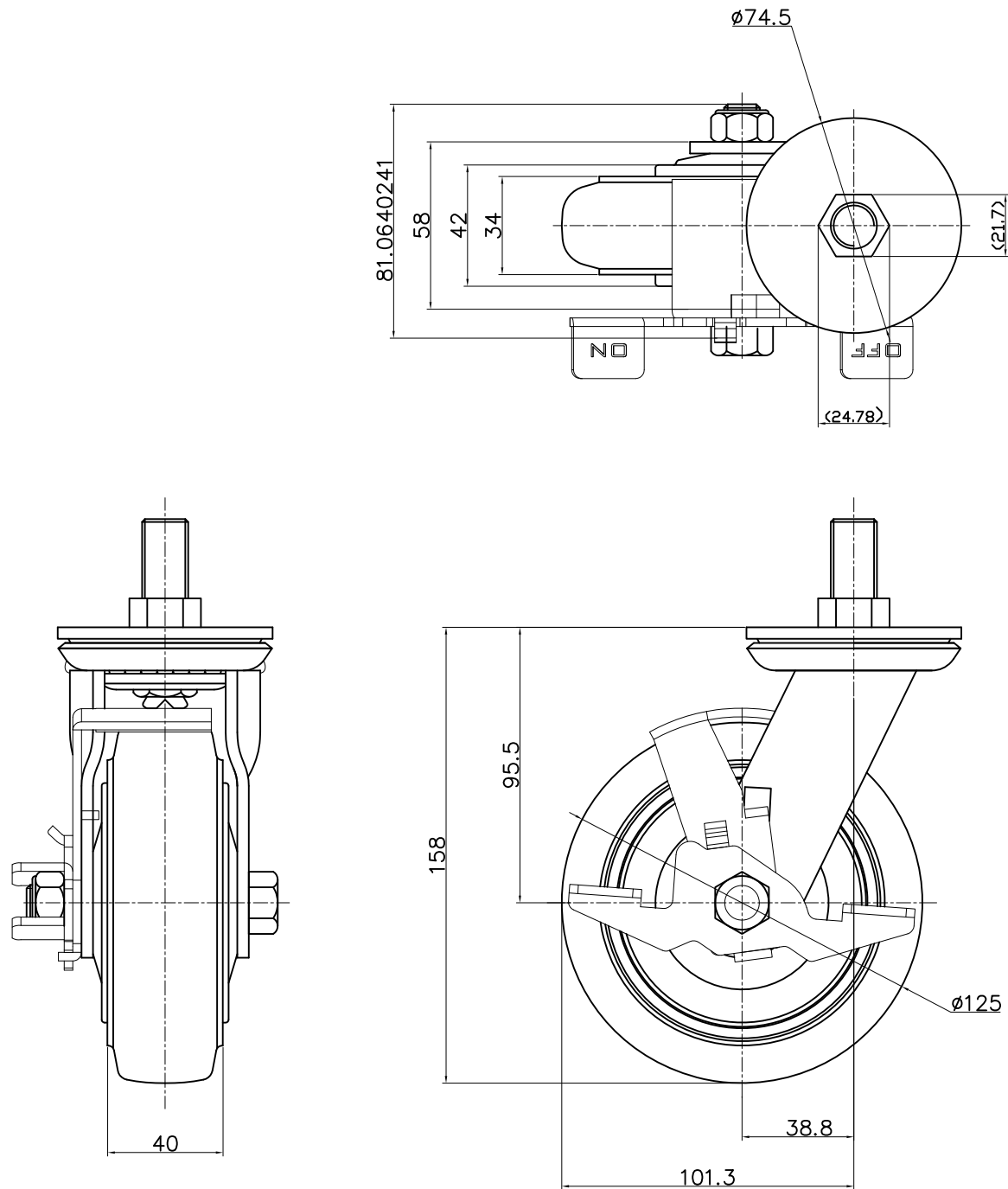


NO.	DESCRIPTIONS	MAT'L	Q'TY	WEIGHT KG.		REMARKS.
				UNIT	TOTAL	
1	-	-	1			-



*NOTE
1. 날카로운 모서리는 제거할 것.

2018.04.27	FIRST ISSUE	박일경	김광영	최규일
REV. NO.	DATE	MODIFICATIONS	DRAWN BY	DESIGN BY
			CHECKED BY	APPROVED BY
OWNER				
PROJECT ALOTECH CASTER				
TITLE APC-5250SS				
CLASS 1/1 SCALE ASSEMBLY DRAWING				
A4 SIZE	mm(inch) DIM.	THIRD ANGLE PROJECTION		REF. DRAWING
ALPO TECH DRAWING NO.	-	REV. NO.	0	SHEET /