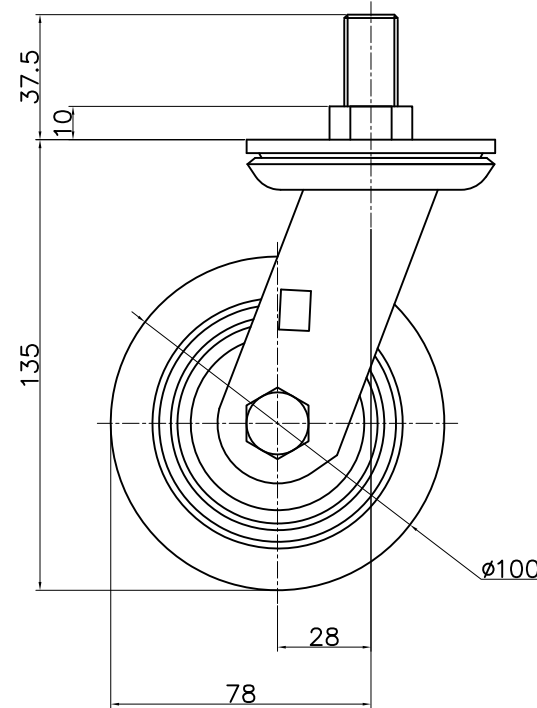
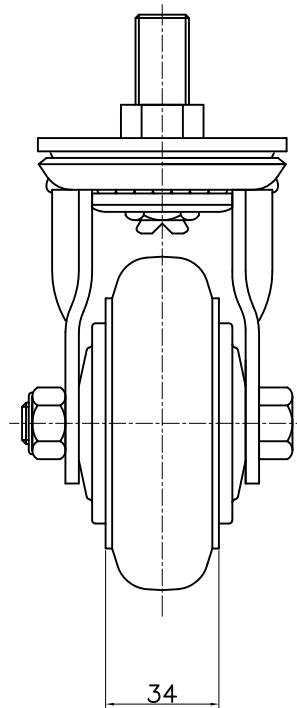
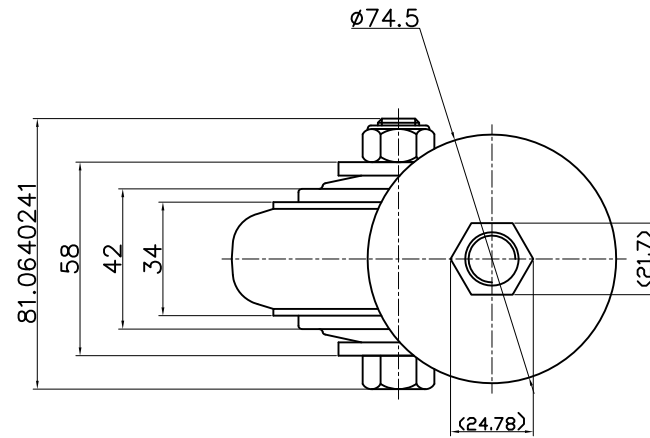



| NO. | DESCRIPTIONS | MAT'L | Q'TY | WEIGHT KG. |       | REMARKS. |
|-----|--------------|-------|------|------------|-------|----------|
|     |              |       |      | UNIT       | TOTAL |          |
| 1   | -            | -     | 1    |            |       | -        |



\*NOTE

1. 날카로운 모서리는 제거할 것.

| REV. NO.  | DATE          | MODIFICATIONS          | DRAWN BY | DESIGN BY | CHECKED BY   | APPROVED BY |
|---|---------------|------------------------|----------|-----------|--------------|-------------|
| 0   | 2018.04.27    | FIRST ISSUE            | 박일경      | 김광영       | 최규일          |             |
| OWNER   |               |                        |          |           |              |             |
|  |               |                        |          |           |              |             |
| PROJECT ALOTECH CASTER  |               |                        |          |           |              |             |
| CLASS TITLE APC-3040SS  |               |                        |          |           |              |             |
| SCALE 1/1 ASSEMBLY DRAWING  |               |                        |          |           |              |             |
| A4 SIZE   | mm(inch) DIM. | THIRD ANGLE PROJECTION |          |           | REF. DRAWING |             |
| ALPO TECH DRAWING NO.   |               | -                      |          |           | REV. NO. 0   | SHEET /     |