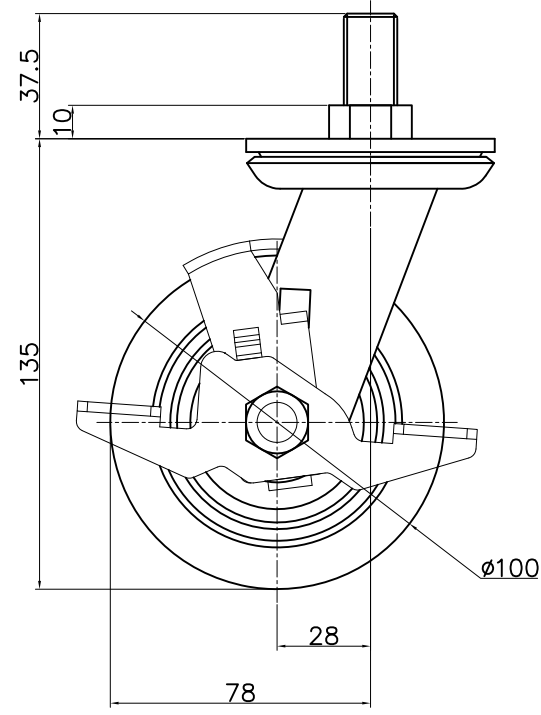
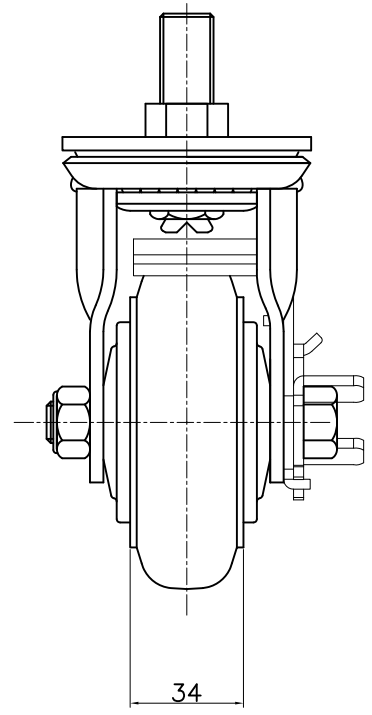
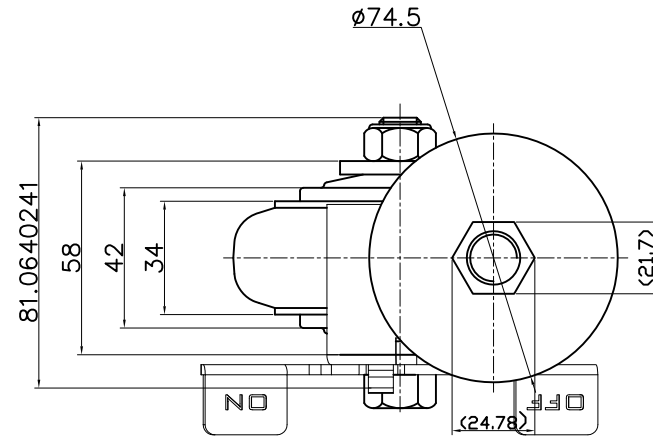


NO.	DESCRIPTIONS	MAT'L	Q'TY	WEIGHT KG.		REMARKS.
				UNIT	TOTAL	
1	-	-	1			-



*NOTE
1. 날카로운 모서리는 제거할 것.

0	2018.04.27	FIRST ISSUE		박일경	김광영	최규일
REV. NO.	DATE	MODIFICATIONS	DRAWN BY	DESIGN BY	CHECKED BY	APPROVED BY
OWNER						
PROJECT ALOTECH CASTER						
TITLE: APC-5240SSB						
CLASS 1/1 SCALE ASSEMBLY DRAWING						
A4 SIZE	mm(inch) DIM.	THIRD ANGLE PROJECTION			REF. DRAWING	
ALPO TECH DRAWING NO.		-			REV. NO. 0	SHEET /