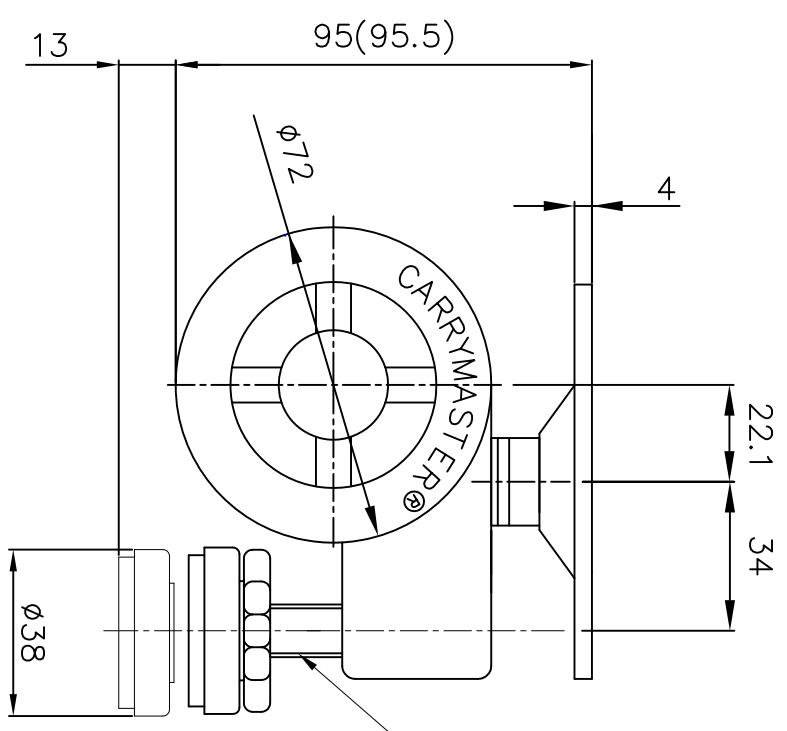
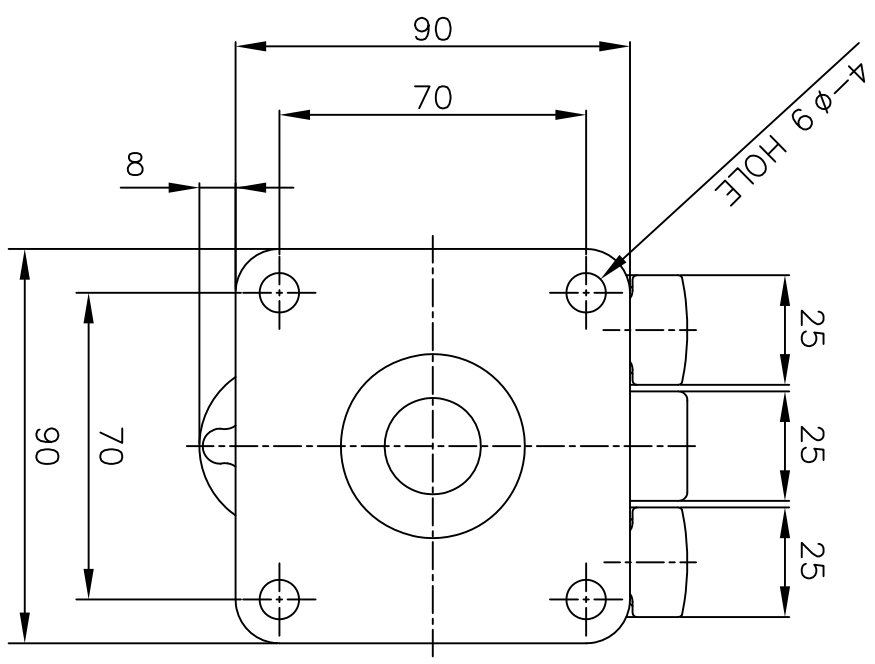


NO.	DESCRIPTIONS	MATERIAL	QTY	WEIGHT		REMARKS
				NET	TOTAL	



M12X1.75

도면예 지정치 양용 일반공차				
치수	범위	A 급	B 급	C 급
6 이하		±0.05	±0.1	±0.2
6 - 30		±0.1	±0.2	±0.3
30 - 120		±0.15	±0.3	±0.5
120 - 400		±0.2	±0.5	±1.2
400 - 1000		±0.3	±0.8	±2
1000 - 2000		±0.5	±1.2	±3

REV. NO.	2009	03/02	FIRST ISSUE	0195					
DATE									
OWNER	ACTUO CHEM CO., LTD. CASSETER TOOL MANUFACTURER								
PROJECT	ACT-800F								
CLASS									
SCALE	1/1								
SIZE	A4								
DRAWING NO.									
REV. NO.	0								
SHEET									