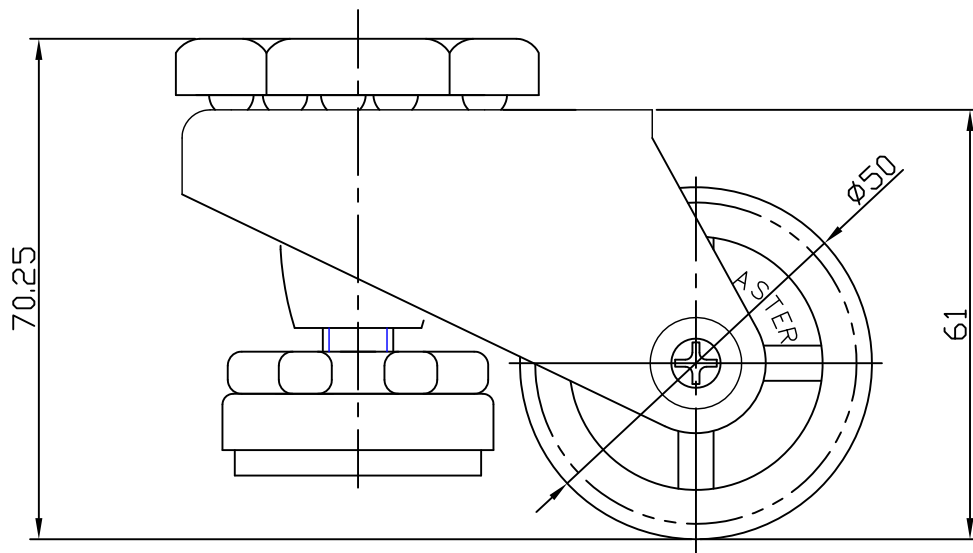
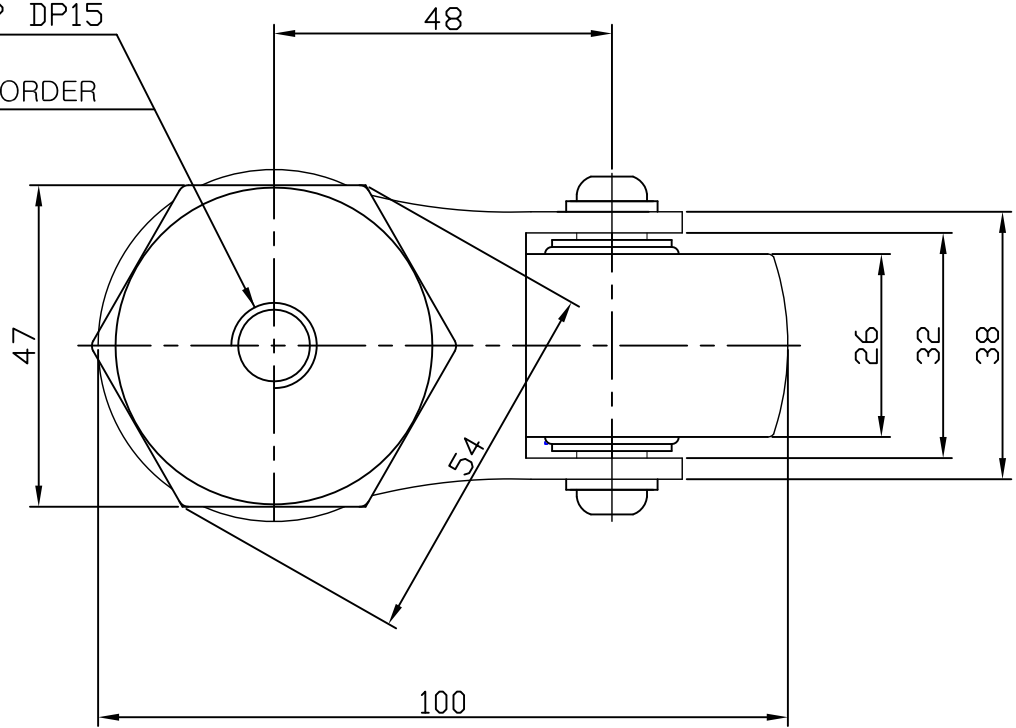


○ 외형도 DIMENSIONS

(Unit:mm)

M12X1.75P TAP DP15

M16 BUYER ORDER



ACP-200 "S" TYPE