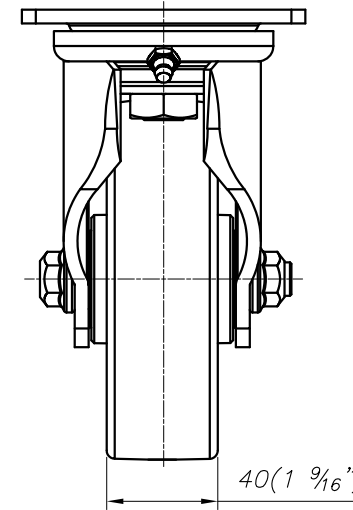
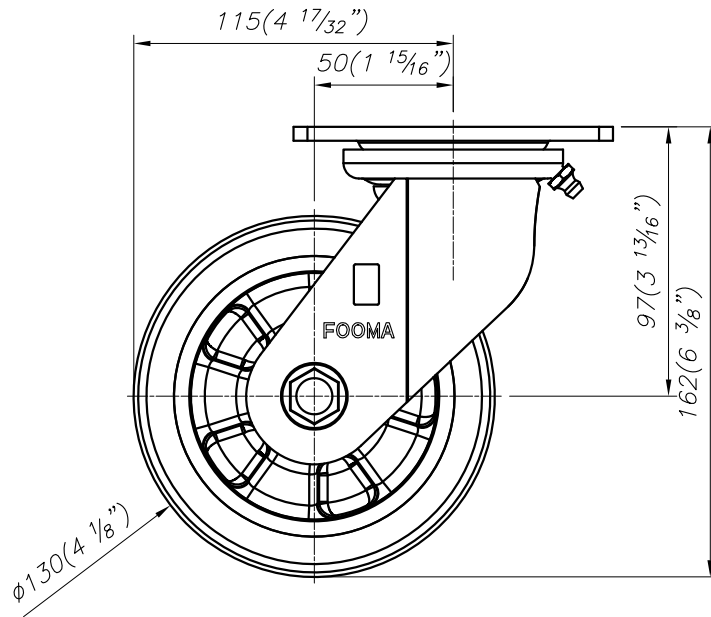


4- $\phi 11(7/16)$ SLOT HOLES
FOR M10 BOLT



FOOT MASTER[®]

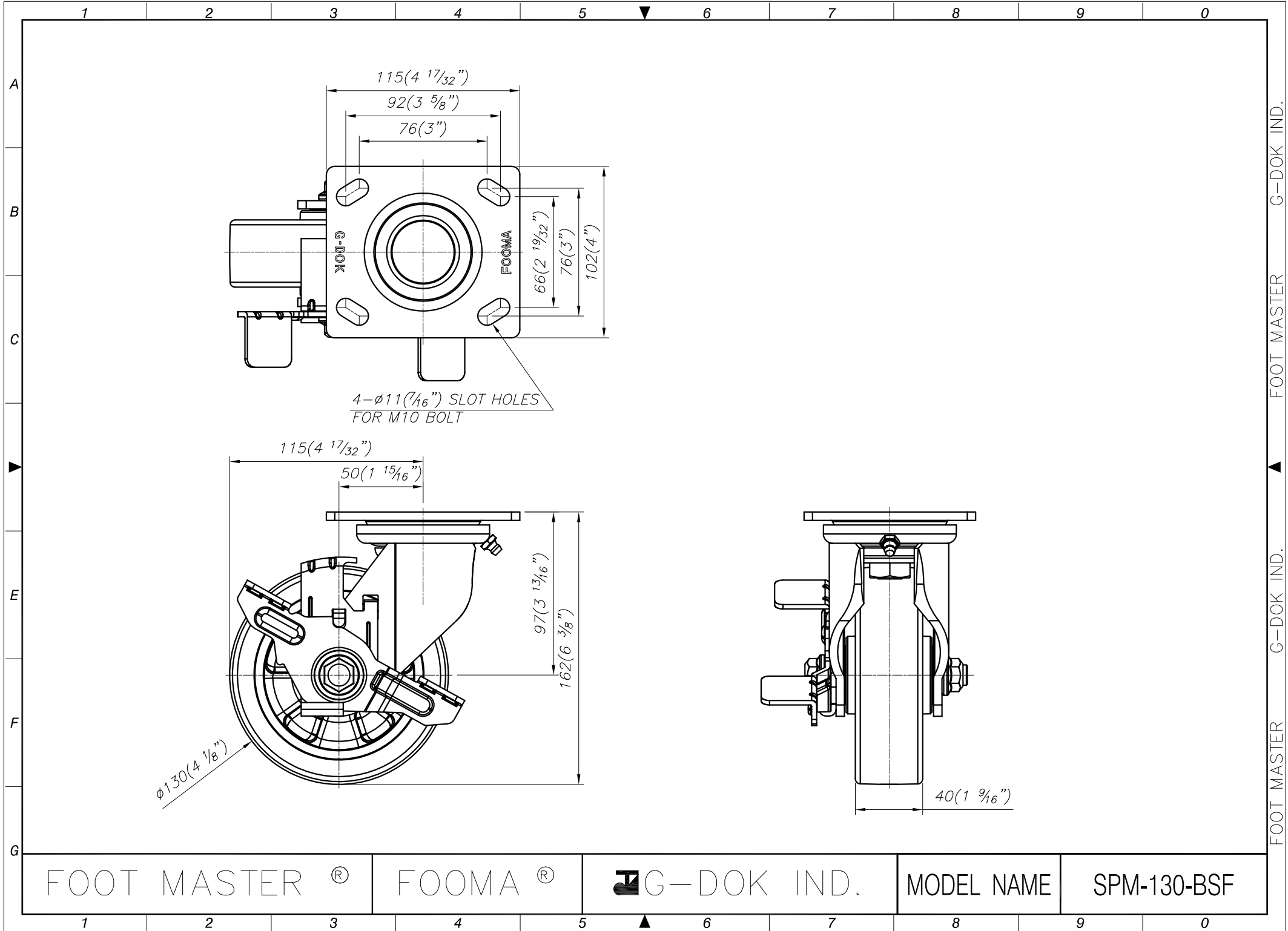
FOOMA[®]

 G-DOK IND.

MODEL NAME

SPM-130-ASF

FOOT MASTER G-DOK IND.



FOOT MASTER[®]

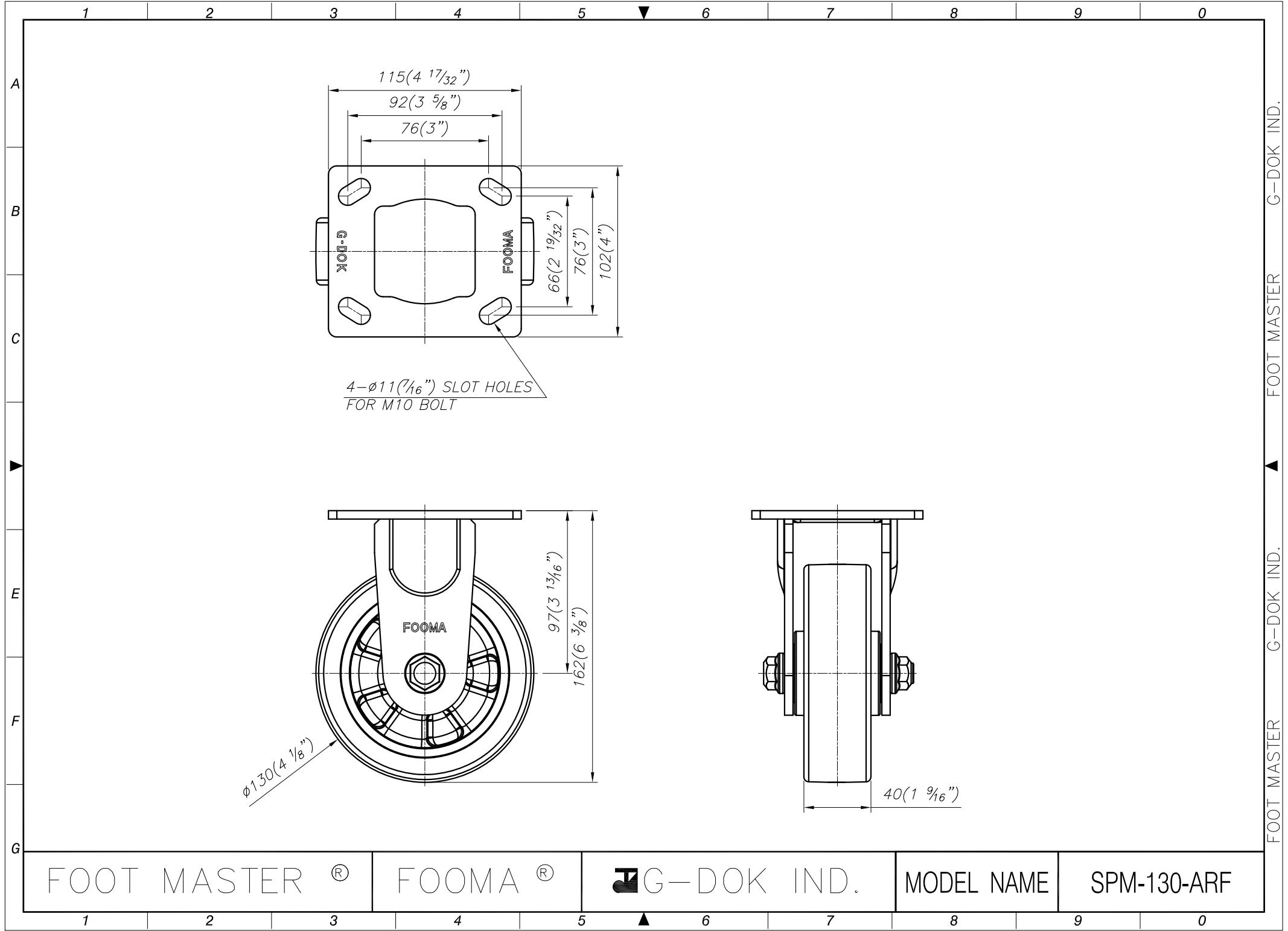
FOOMA[®]

 G-DOK IND.

MODEL NAME

SPM-130-BSF

FOOT MASTER G-DOK IND.



FOOT MASTER[®]

FOOMA[®]

 G-DOK IND.

MODEL NAME

SPM-130-ARF

FOOT MASTER G-DOK IND. FOOT MASTER G-DOK IND.