

FOOT MASTER®

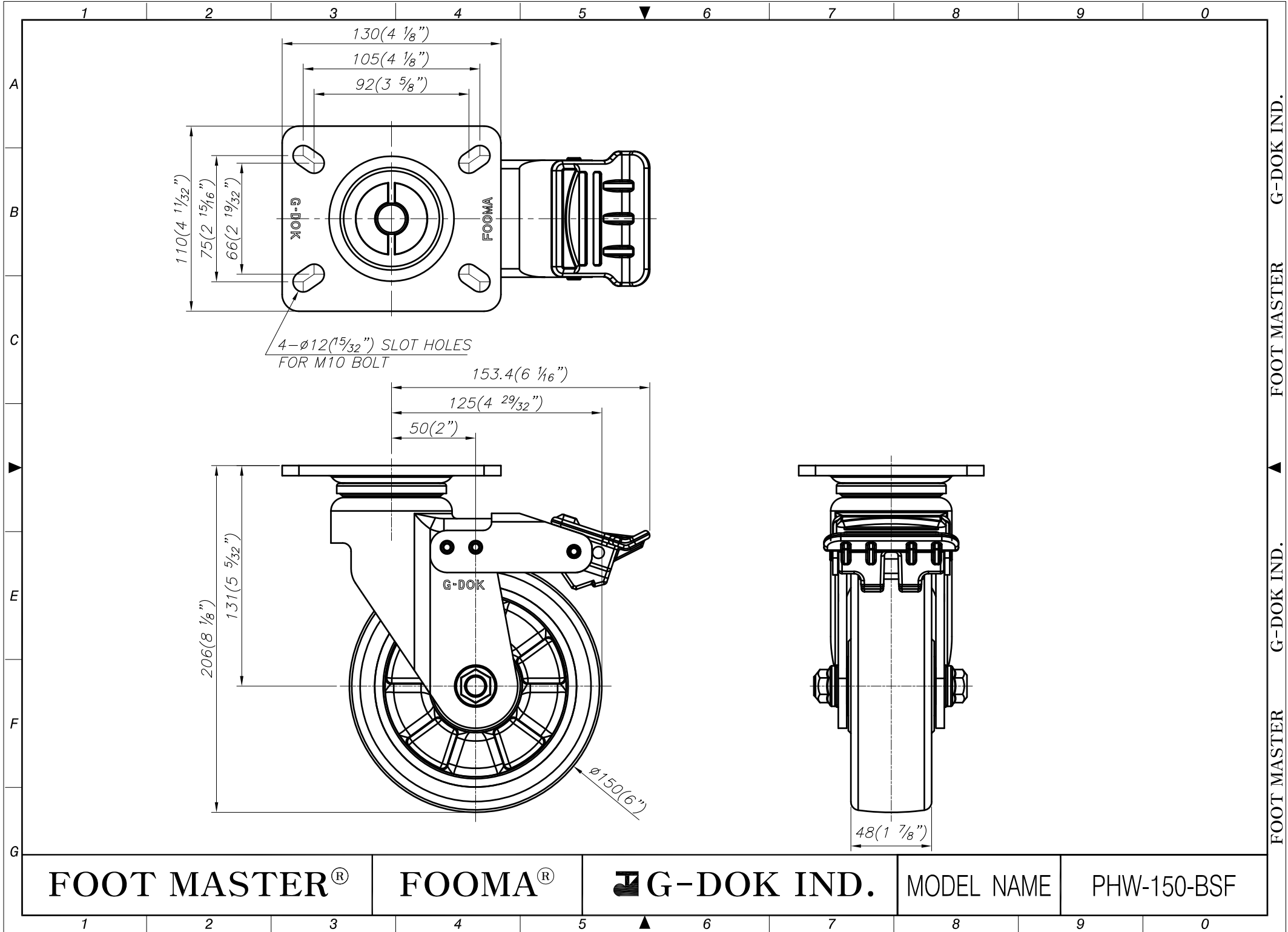
FOOMA®

G-DOK IND.

MODEL NAME

PHW-150-ASF

FOOT MASTER G-DOK IND. FOOT MASTER G-DOK IND.



FOOT MASTER®

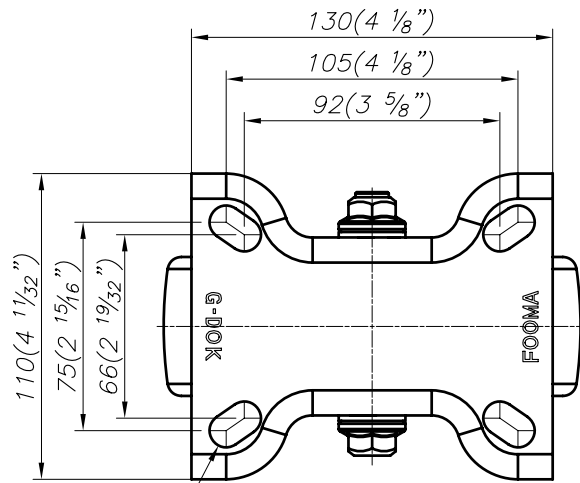
FOOMA®

G-DOK IND.

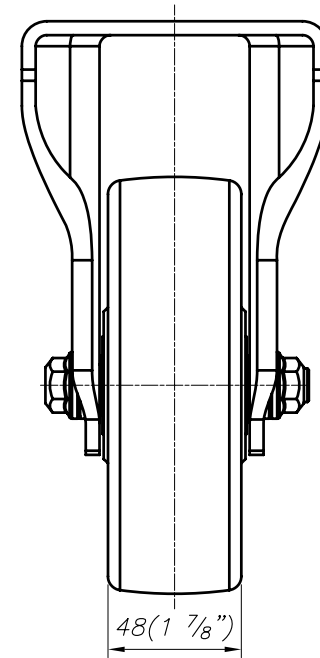
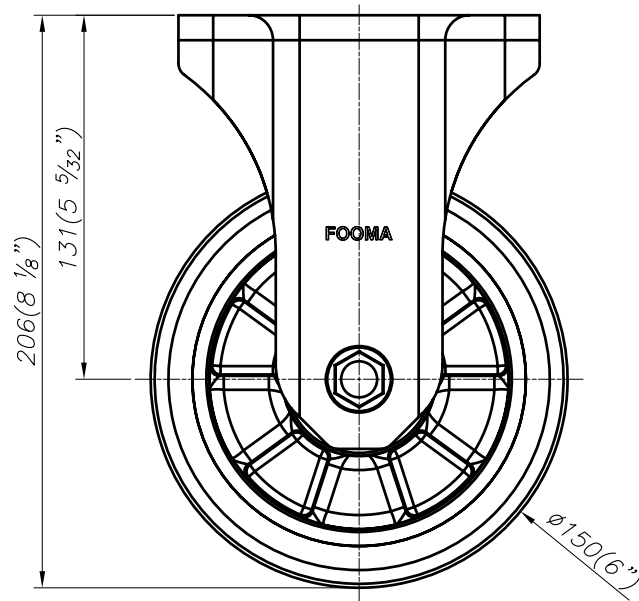
MODEL NAME

PHW-150-BSF

FOOT MASTER G-DOK IND. FOOT MASTER G-DOK IND.



4- $\phi 12(1^{5}/_{32})$ SLOT HOLES
FOR M10 BOLT



FOOT MASTER®

FOOMA®

G-DOK IND.

MODEL NAME

PHW-150-ARF

FOOT MASTER G-DOK IND. ▲ FOOT MASTER G-DOK IND.