

FOOT MASTER®

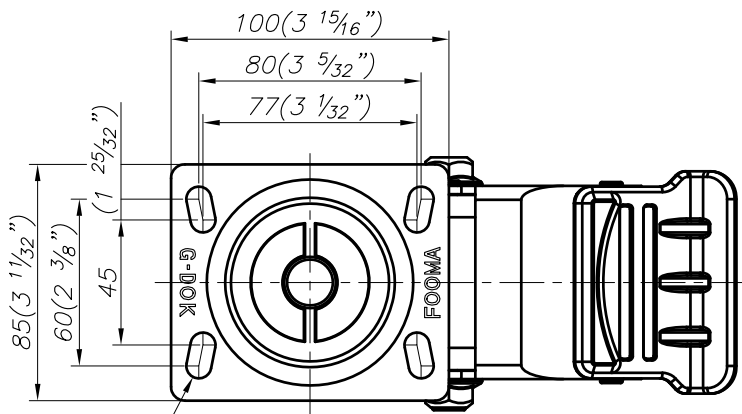
FOOMA®

G-DOK IND.

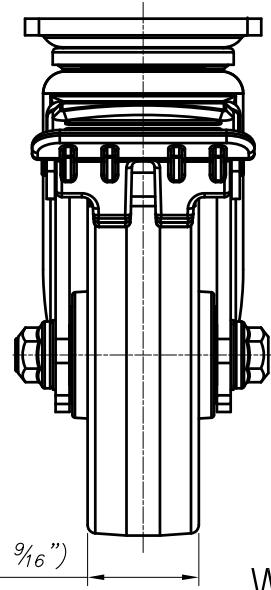
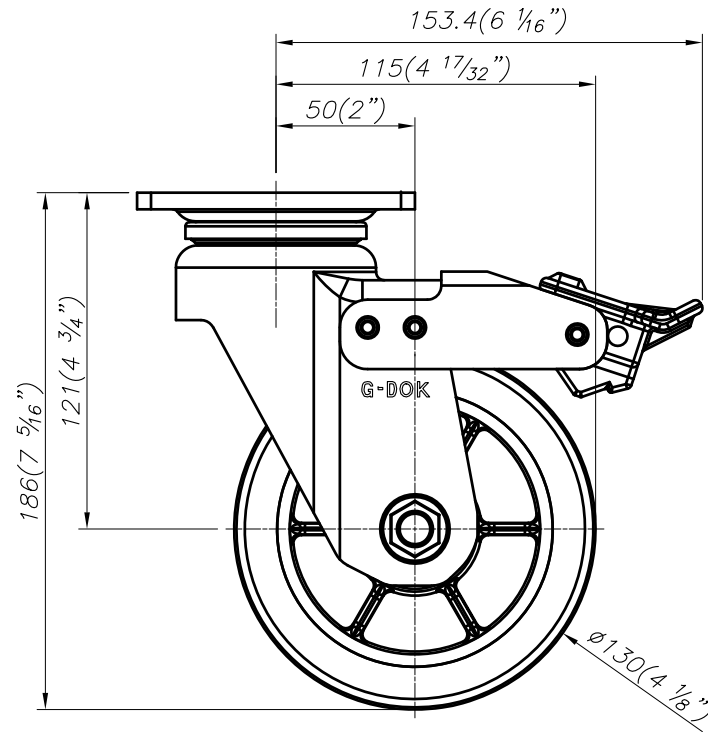
MODEL NAME

PH-130-ASF

FOOT MASTER G-DOK IND. FOOT MASTER G-DOK IND.



4-ø9 (1 1/32") SLOT HOLES
FOR M8 BOLT



WHEEL : HUD, MUD, SUD

FOOT MASTER®

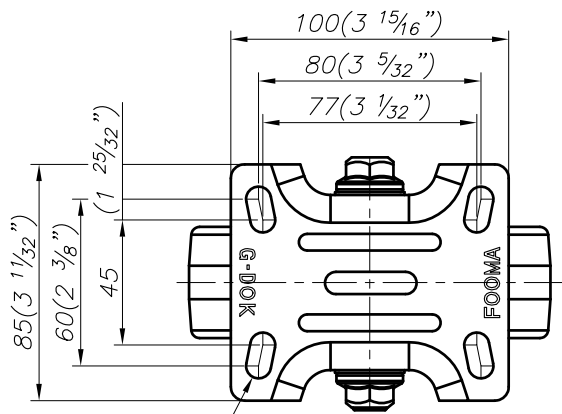
FOOMA®

G-DOK IND.

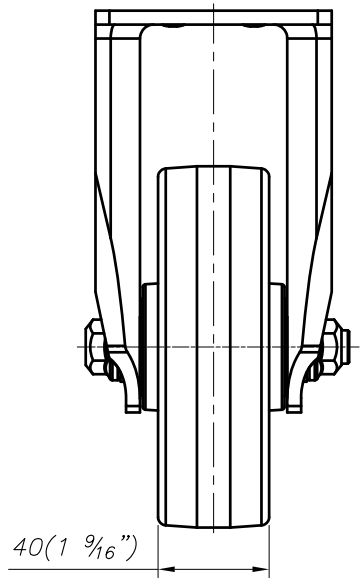
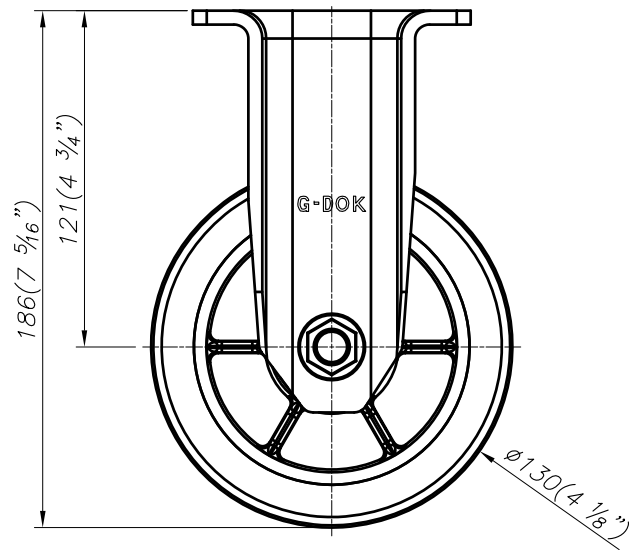
MODEL NAME

PH-130-BSF

FOOT MASTER G-DOK IND. FOOT MASTER G-DOK IND.



4- $\varnothing 9(1\frac{1}{32})$ SLOT HOLES
FOR M8 BOLT



WHEEL : HUD, MUD, SUD

FOOT MASTER®

FOOMA®

 G-DOK IND.

MODEL NAME

PH-130-ARF

FOOT MASTER G-DOK IND. FOOT MASTER G-DOK IND.